



Specifications

Throat Diameter	1.0 inch (25.4mm)
Diaphragm Diameter	1.75 inch (44.4mm)
Nominal Impedance	8 Ohm
Voice Coil DC Resistance	6.8 Ohm
Power Handling	50 Watt
Sound Pressure Level (1W@1M) (Loaded with 90x40 Horn)	110 dB
Mounting Type	Bolt On
Magnet	Ferrite
Diaphragm Material	Titanium
Recommended Crossover	1kHz (12dB/Oct slope or higher)
Net Weight	1.9kg (4.2lbs) 1pc
Gross Weight	4kg (8.8lbs) 2pcs
Packing Dimension HxWxD(cm)	29 x 14.1 x 10.3 (0.15 Cu.Ft.)

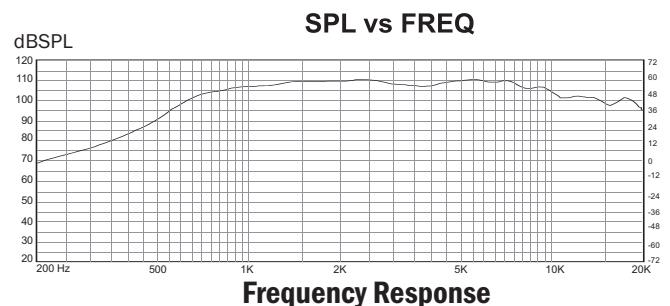
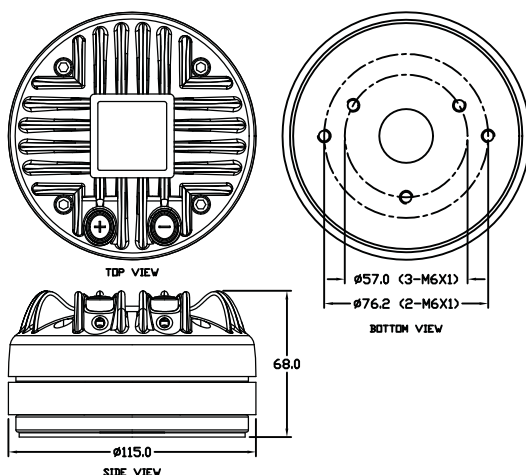
High Output Compression Driver

The P Audio philosophy of continuous improvement requires constant research and development efforts aimed at upgrading critical performance parameters. The BM-D 446 high performance compression driver presents many improvements in both amplitude and time domain response. These technological advances represent additional improvements in the very successful BM-D series of high performance compression drivers. The BM-D 446 magnet gap geometry has been redesigned to improve both the time domain and amplitude domain response in the critical upper vocal range between 1kHz and 3kHz. These performance improvements translate into superior vocal range intelligibility and clarity. Additional improvements in the phase plug spacing and rear volume have yielded substantial improvements in the 10kHz range that translate into superior ultra high frequency accuracy.

The BM-D 446 is ideal for use in high output two way professional audio system designs. The driver may be integrated into systems utilizing 8 inch (203 mm) high output woofer or larger and is ideal for very high performance systems using 12 inch (305 mm) and 15 inch (381mm) low frequency sections. The rated frequency range of the BM-D 446 driver is 1kHz to 20kHz. Passive crossovers with 2nd order (12dB/Oct) or higher slopes will produce ideal band limiting and crossover frequencies of higher than 1kHz are recommended for very high output designs.

The BM-D 446 utilizes a 1.75 inch (44.5mm) diaphragm assembly of commercially pure titanium. The diaphragm assembly features P Audio's ultra high thermal stability adhesives and is coupled to a precision voice coil assembly designed to maximize conversion efficiency. The circumferential slot phase plug provides very wide bandwidth coupling of the diaphragm to the 1 inch (25.4mm) industry standard exit. Close spacing of the diaphragm and phase plug insure excellent bandwidth and acoustic damping. The mounting geometry is a standard bolt on style that is compatible with P Audio and many other standard high frequency horns and wave guides.

The BM-D 446 is a Ferrite based permanent magnetic system that has been computer optimized to yield maximum magnetic energy and conversion efficiency. Finite Element Modeling has produced a very high magnetic energy field while maintaining a very compact geometry and reduced weight.



19/4 Moo 2 T.Bangkratuk A. Samparn Nakornpathom 73210 Thailand
 Tel: +66-2-441 6600 Auto 30 Lines
 e-mail: info@paudiothailand.com
 Web site: www.paudiothailand.com
 All rights reserved by P.Audio System Co., Ltd. 2007

